

EMTECH

GLANDS & LUGS

GLANDS

A2 Industrial Gland
BW Armoured Cable Gland
CW Armoured Cable Gland



A2/BW/CW

LUGS



Sentosa Merlion Station



Tan Tock Seng Hospital



Changi Water Reclamation Plant

Project Title
Ping Yi Secondary School
Linear Factory
Draycott Park Condominium
Sentosa Monorail
Spring Hill
Changi Water Reclamation C3C
Changi Water Reclamation C4A
Changi Water Reclamation C4B
LTA Traffic Light Installation
Micron Factory Upgrading
Law Enforcement Training Village
Singapore Management University
Tanjong Pagar Complex
Bukit Merah JTC Upgrading
GE Condominium
Tan Tock Seng Hospital
National University of Singapore

Copyright © 2008-2021 Tan Teck Seng Electric Co. Pte. Ltd. All rights reserved.
Material data listed in this catalog supercedes all information in previous publications.



TAN TECK SENG Electric Co. (Pte) Ltd

137 Kaki Bukit Avenue 1, Shun Li Industrial Park, Singapore 416003
tselect@tts.sg

All product dimension and material specification is as accurate as possible at time of publication.

Tan Teck Seng Electric Co. Pte. Ltd. reserves the right to change the design or specification of its products without notification.

Whilst utmost care has been taken to maintain accuracy in the data, the company does not hold any responsibility for errors and accepts no liability for the use or interpretation of this data.



A2 Brass Industrial Gland

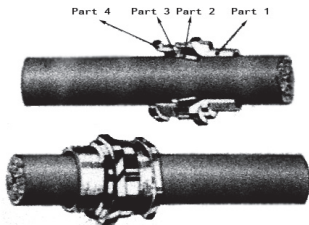
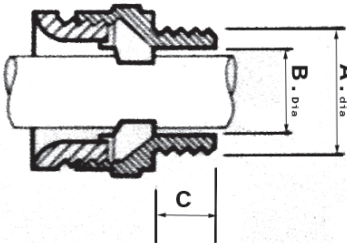


A2 Brass Industrial Gland

Application:

Indoor or Outdoor

For use with all types of unarmoured cable where it is essential



Fitting Instructions

- 1 Screw part 1 into Panel opening, or through clearance hole and secure with locknut.
- 2 Ensure that part 2 (Neoprene Seal) and part 3 (Skid Washer), are in position inside of the part 1 and that part 4 is engaged into part 1 by the first thread. In this position there should be no contraction of the seal.
- 3 Pass cable gland and screw part 4 into part 1 which will drive the Neoprene up the internal taper of part 1, thus contracting it down the cable's sheathing, which will produce an excellent moisture-proof seal.

*Available in stainless steel and nickel plated finish.

Single core PVC Cables Approx Overall OD> (mm-Dia)			
Cable SQ (mm)	Pvc Cable	Pvc/Xipe Cable	Pvc/Pvc Cable
1.5	3.2	-	4.7
2.5	3.7	-	5.4
4	4.2	-	6.2
6	4.8	-	6.7
10	6.2	-	8.1
16	7.2	-	9.3
25	8.9	11.1	11.3
35	10.2	12.4	12.5
50	11.8	13.8	14.4
70	13.6	16.0	16.2
95	16.0	18.0	18.7
120	17.6	19.9	20.5
150	19.5	22.0	22.7
185	21.8	24.4	25.2
240	24.9	27.5	28.4
300	27.7	30.3	31.5
400	31.1	34.0	35.1
500	34.7	37.7	39.1
630	38.6	42.3	43.3

Gland Ref	Panel Opening	Cable Diameter		Thread Length
		min	max	
	A(IMP)	B(mm)	B(mm)	C(mm)
A2-16L	5/8"	3	8	15
A2-20S	3/4"	8	10	15
A2-20L	3/4"	11	14	15
A2-25S	1"	12	16	15
A2-25L	1"	13	20	15
A2-32S	1 1/4"	16	23	15
A2-32L	1 1/4"	19	26	15
A2-40S	1 1/2"	23	29	15
A2-40L	1 1/2"	26	34	15
A2-45S	45mm	28	34	15
A2-45L	45mm	30	36	15
A2-50S	2"	32	41	15
A2-50L	2"	36	45	15
A2-63S	2 1/2"	43	50	15
A2-63L	2 1/2"	48	56	15
A2-75S	3"	55	62	15
A2-75L	3"	61	68	15

* Above cable diameter chart are given for glands selection purpose only. Our company are not responsible for cables that prove to deviate materially from the nominal diameters given here.

Copyright © 2008-2021 Tan Teck Seng Electric Co. Pte. Ltd. All rights reserved.
Material data listed in this catalog supercedes all information in previous publications.

All product dimension and material specification is as accurate as possible at time of publication.

Tan Teck Seng Electric Co. Pte. Ltd. reserves the right to change the design or specification of its products without notification.

Whilst utmost care has been taken to maintain accuracy in the data, the company does not hold any responsibility for errors and accepts no liability for the use or interpretation of this data.



BW Brass Armoured Cable Gland

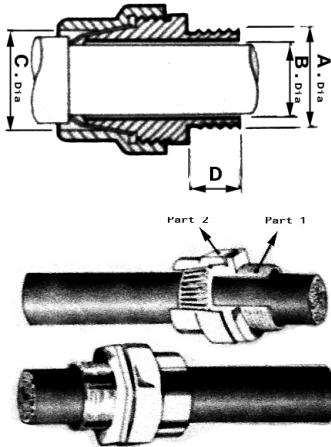


BW Brass Armoured Cable Gland

Application:

Dry Indoors

For use with all types of SWA cable which does not require seal.



Fitting Instructions

- 1 Screw part 1 into Panel opening, or through clearance hole and secure with locknut.
- 2 Pass part 2 over the external diameter of the cable before commencement to strip cable end.
- 3 Strip back overall sheathing to within 6mm of the knurl end part 1.
- 4 Strip back armour wires and splay out.
- 5 Pass cable through part 1 and lay armour wires around knurled section and cut off as illustrated.
- 6 Screw part 2 onto part 1 until armour wires are securely locked between these items.

*Available in stainless steel and nickel plated finish.

PVC/SWA/PVC Cables Approx Overall O.D. (mm-Dia)			
Cable SQ mm)	2 Core	3 Core	4 Core
1.5	12.3	12.8	13.5
2.5	13.6	14.1	15.0
4	15.1	15.8	17.8
6	16.5	18.0	19.2
10	20.1	21.2	22.8
16	21.9	23.1	26.3
25	23.0	25.0	27.8
35	24.9	27.3	30.5
50	27.8	30.5	35.4
70	30.4	35.0	39.2
95	35.5	39.3	44.3
120	37.7	42.2	49.3
150	40.9	47.5	53.6
185	46.2	51.9	59.0
240	51.2	57.8	70.0
300	56.4	63.2	76.0
400	61.9	69.6	89.0

Gland Ref	Panel Open- ing	Max Inner Sheath	Max Outer Sheath	Thread Length
	A(IMP)	B(mm)	C(mm)	D(mm)
BW-20S	¾ S	11	17	10
BW-20L	¾ S	14	20	10
BW-25S	1 S	18	24	10
BW-25L	1 L	20	27	10
BW-32S	1¼ S	24	31	15
BW-32L	1¼ L	26	34	15
BW-40S	1½ S	30	38	15
BW-40L	1½ L	32	40	15
BW-50S	2 S	38	46	15
BW-50L	2 L	44	53	15
BW-63S	2½ S	50	59	15
BW-63L	2½ L	56	66	15
BW-75S	3 S	62	72	15
BW-75L	3 L	68	78	15

* Above cable diameter chart are given for glands selection purpose only. Our company are not responsible for cables that prove to deviate materially from the nominal diameters given here.



CW Brass Armoured Cable Gland

*Available in stainless steel and nickel plated finish.

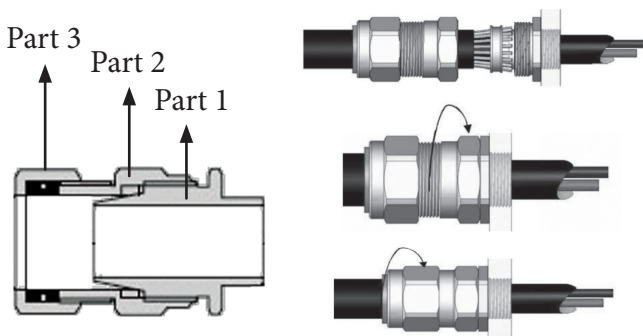


CW Brass Armoured Cable Gland

Application:

For use in dusty environment. Must be fitted with PVC shroud when used outdoors.

For use with PVC/SWA/PVC or XLPE/SWA/PVC armour cable.



GLAND REF & SIZE	LENGTH OF THREAD 'L'	CABLE DIAMETER (CD)	
		DIA INNER SHEATH MAX.	DIA OUTER SHEATH MAX.
CW-20S	15	11	17
CW-20L	15	14	20
CW-25S	15	18	24
CW-25L	15	20	27
CW-32S	20	24	31
CW-32L	20	26	34
CW-40S	20	30	38
CW-40L	20	32	40
CW-50S	20	38	46
CW-50L	20	44	53
CW-63S	20	51	59
CW-63L	20	56	66
CW-75S	20	62	72
CW-75L	20	68	78

* Above cable diameter chart are given for glands selection purpose only. Our company are not responsible for cables that prove to deviate materially from the nominal diameters given here.

Fitting Instructions

- 1 Screw part 1 into Panel opening, or through clearance hole and secure with locknut.
- 2 Pass part 2 and part 3 over the external diameter of the cable before commencement to strip cable end.
- 3 Strip back overall sheathing to within 6mm of the knurl end part 1.
- 4 Strip back armour wires and splay out.
- 5 Pass cable through part 1 and lay armour wires around knurled section and cut off as illustrated.
- 6 Screw part 2 onto part 1 until armour wires are securely locked between these items.
- 7 Screw part 3 onto part 2.

Copyright © 2008-2021 Tan Teck Seng Electric Co. Pte. Ltd. All rights reserved.

Material data listed in this catalog supercedes all information in previous publications.

All product dimension and material specification is as accurate as possible at time of publication.

Tan Teck Seng Electric Co. Pte. Ltd. reserves the right to change the design or specification of its products without notification.

Whilst utmost care has been taken to maintain accuracy in the data, the company does not hold any responsibility for errors and accepts no liability for the use or interpretation of this data.



Cable Gland Accessories

Earth Tags



EARTH TAG SIZE	
PRODUCT CODE	DIAMETER
G-ET-20-CS	M20
G-ET-25-CS	M25
G-ET-32-CS	M32
G-ET-40-CS	M40
G-ET-50-CS	M50
G-ET-63-CS	M63
G-ET-75-CS	M75

Brass Locknut



BRASS LOCKNUT SIZE	
PRODUCT CODE	THREAD DIAMETER
LN-20-B	M20
LN-25-B	M25
LN-32-B	M32
LN-40-B	M40
LN-50-B	M50
LN-63-B	M63
LN-75-B	M75

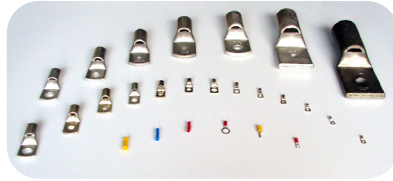
Copyright © 2008-2021 Tan Teck Seng Electric Co. Pte. Ltd. All rights reserved.

Material data listed in this catalog supercedes all information in previous publications.

All product dimension and material specification is as accurate as possible at time of publication.

Tan Teck Seng Electric Co. Pte. Ltd. reserves the right to change the design or specification of its products without notification.

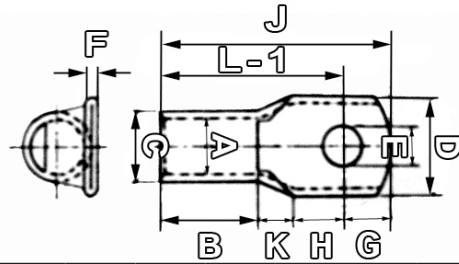
Whilst utmost care has been taken to maintain accuracy in the data, the company does not hold any responsibility for errors and accepts no liability for the use or interpretation of this data.



Cable Lugs

Oxygen Free High Conductivity Copper Tabular Terminal Ends for Solderless Crimping to Copper Conductors

Compact Aluminum XLPE Cables



Product Code	Size mm ²	E	A	C	D	F	B	K	H	G	L-1	J	Retail Packing Nos.
LUG-1.5-M5	1.5	5.2	1.8	3.7	8	1.0	5	2	5	4	12	16	100
LUG-1.5-M6	1.5	6.5	1.8	3.7	10	0.8	5	2	6	5	13	18	100
LUG-2.5-M4	2.5	4.2	2.4	4.0	8	1.0	7	2	5	4	14	18	100
LUG-2.5-M5	2.5	5.2	2.4	4.0	10	0.8	7	2	6	5	15	20	100
LUG-2.5-M6	2.5	6.5	2.4	4.0	10	0.8	7	2	6	5	15	20	100
LUG-4-M5	4.0	5.2	3.1	4.8	10	1.0	7	2	6	5	15	20	100
LUG-4-M6	4.0	6.5	3.1	4.8	10	1.0	7	2	6	5	15	20	100
LUG-6-M5	6.0	5.2	3.8	5.5	10	1.2	9	3	6	5	18	23	100
LUG-6-M6	6.0	6.5	3.8	5.5	12	1.0	9	3	9	6	21	27	100
LUG-6-M8	6.0	8.4	3.8	5.5	12	1.0	9	3	9	6	21	27	100
LUG-10-M6	10	6.5	4.5	6.2	12	1.2	9	3	7	6	19	25	100
LUG-10-M8	10	8.4	4.5	6.2	12	1.2	9	3	9	6	21	27	100
LUG-16-M6	16	6.5	5.4	7.1	12	1.4	12	4	7	7	23	30	100
LUG-16-M8	16	8.4	5.4	7.1	12	1.4	12	4	9	7	25	32	100
LUG-16-M10	16	10.5	6.0	7.7	12	1.7	12	4	9	7	25	32	100
LUG-25-M6	25	6.5	6.8	8.8	13	2.0	12	4	7	7	23	30	100
LUG-25-M8	25	8.4	6.8	8.8	18	1.4	12	4	11	10	27	37	100
LUG-25-M10	25	10.5	6.8	8.8	18	1.4	12	4	11	10	27	37	100
LUG-35-M6	35	6.5	8.2	10.6	15	2.4	12	5	9	9	26	35	100
LUG-35-M8	35	8.4	8.2	10.6	15	2.4	12	5	9	9	26	35	100
LUG-35-M10	35	10.5	8.2	10.6	18	2.0	12	5	11	10	28	38	100
LUG-50-M8	50	8.4	9.5	12.4	18	2.9	16	6	11	10	33	43	100
LUG-50-M10	50	10.5	9.5	12.4	18	2.9	16	6	11	10	33	43	100
LUG-70-M8	70	8.4	11.2	14.7	21	3.5	18	7	13	12	38	50	50
LUG-70-M10	70	10.5	11.2	14.7	21	3.5	18	7	13	12	38	50	50
LUG-70-M12	70	13.0	11.2	14.7	21	3.5	18	7	13	12	38	50	50
LUG-95-M10	95	10.5	13.5	17.4	25	3.9	20	9	13	13	42	55	50
LUG-95-M12	95	13.0	13.5	17.4	25	3.9	20	9	13	13	42	55	50
LUG-120-M12	120	13.0	15.0	19.4	28	4.4	22	10	14	14	46	60	30
LUG-120-M16	120	17.0	15.0	19.4	28	4.4	22	10	16	16	48	64	30
LUG-150-M12	150	13.0	16.5	21.2	30	4.7	26	11	16	16	53	69	20
LUG-150-M16	150	17.0	16.5	21.2	30	4.7	26	11	16	16	53	69	20
LUG-185-M16	185	17.0	18.5	23.5	34	5.0	32	12	17	17	61	78	20
LUG-240-M16	240	17.0	21.0	26.5	38	5.5	38	14	20	20	72	92	10
LUG-240-M20	240	21.0	21.0	26.5	38	5.5	38	14	20	20	72	92	10
LUG-300-M16	300	17.0	23.5	30.0	43	6.5	42	15	22	22	79	101	10
LUG-300-M20	300	21.0	23.5	30.0	43	6.5	42	15	22	22	79	101	10
LUG-400-M16	400	17.0	26.8	34.8	50	8.0	44	18	26	26	88	114	5
LUG-400-M20	400	21.0	26.8	34.8	50	8.0	44	18	26	26	88	114	5
LUG-500-M12	500	13.0	30.0	39.0	56	9.0	48	20	28	28	96	124	5
LUG-500-M16	500	17.0	30.0	39.0	56	9.0	48	20	28	28	96	124	5
LUG-500-M20	500	21.0	30.0	39.0	56	9.0	48	20	28	28	96	124	5
LUG-630-M12	630	13.0	35.0	45.0	65	10.0	56	22	33	33	111	144	5
LUG-630-M16	630	17.0	35.0	45.0	65	10.0	56	22	33	33	111	144	5
LUG-630-M20	630	21.0	35.0	45.0	65	10.0	56	22	33	33	111	144	5
LUG-800	800	--	39.0	50.6	73	11.6	78	17	40	40	135	170	5

Material OFHC COPPER BS : 1977

Finish - Electro Tinned

Copyright © 2008-2021 Tan Teck Seng Electric Co. Pte. Ltd. All rights reserved.

Material data listed in this catalog supercedes all information in previous publications.

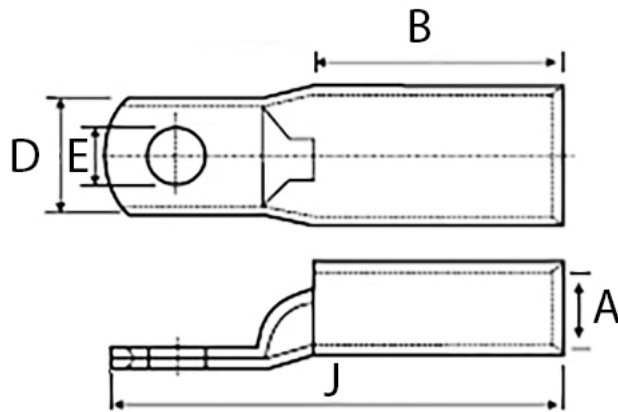
All product dimension and material specification is as accurate as possible at time of publication.

Tan Teck Seng Electric Co. Pte. Ltd. reserves the right to change the design or specification of its products without notification.

Whilst utmost care has been taken to maintain accuracy in the data, the company does not hold any responsibility for errors and accepts no liability for the use or interpretation of this data.



Narrow Palm - Circuit Breaker Cable Lugs



Material: E Copper

Finish: Electro Tinned

Product Code	Cable mm ²	Stud Hole (E)	Dimensions in mm ± 3%			
			A	D	B	J
LUG-35-M6-NP	35	6.5	8.2	11.5	21.0	41.0
LUG-50-M6-NP	50	6.5	9.5	11.5	22.0	43.0
LUG-50-M8-NP	50	8.4	9.5	15.5	22.0	45.0
LUG-50-M10-NP	50	10.2	9.5	19.0	22.0	49.0
LUG-70-M6-NP	70	6.5	11.3	11.5	24.0	45.0
LUG-70-M8-NP	70	8.4	11.3	15.5	24.0	47.0
LUG-70-M10-NP	70	10.2	11.3	19.0	24.0	51.0
LUG-95-M8-NP	95	8.4	13.5	15.5	27.0	51.0
LUG-95-M10-NP	95	10.2	13.5	19.0	27.0	55.0
LUG-120-M8-NP	120	8.4	15.0	19.0	30.0	61.0
LUG-120-M10-NP	120	10.2	15.0	19.0	30.0	61.0
LUG-150-M8-NP	150	8.4	16.7	19.0	30.0	66.0
LUG-150-M10-NP	150	10.2	16.7	19.0	30.0	66.0
LUG-185-M10-NP	185	10.2	18.5	24.5	32.0	74.0
LUG-185-M12-NP	185	13.0	18.5	24.5	32.0	74.0
LUG-240-M10-NP	240	10.2	21.1	24.5	38.0	82.0
LUG-240-M12-NP	240	13.0	21.1	24.5	38.0	82.0
LUG-300-M10-NP	300	10.2	23.6	24.5	42.0	87.0
LUG-300-M12-NP	300	13.0	23.6	24.5	42.0	87.0

Copyright © 2008-2021 Tan Teck Seng Electric Co. Pte. Ltd. All rights reserved.

Material data listed in this catalog supercedes all information in previous publications.

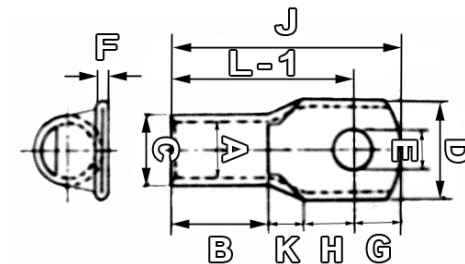
All product dimension and material specification is as accurate as possible at time of publication.

Tan Teck Seng Electric Co. Pte. Ltd. reserves the right to change the design or specification of its products without notification.

Whilst utmost care has been taken to maintain accuracy in the data, the company does not hold any responsibility for errors and accepts no liability for the use or interpretation of this data.



1000mm Cable Lugs

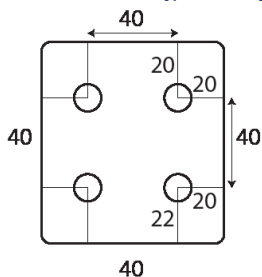


Material: E Copper

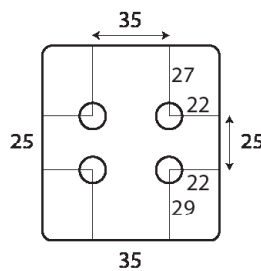
Finish: Electro Tinned

Product Code	Size mm ²	E	A	C	D	F	B	K	H	G	L-1	J
LUG-1000	1000	--	43.0	56.2	81	13.2	90	20	45	45	155	200
LUG-1000-M16	1000	17.0	43.0	56.2	81	13.2	90	20	45	45	155	200
LUG-1000-M12-4	1000	13.0 x 4	43.0	56.2	81	13.2	90	20	--	--	--	200
LUG-1000-M12-4-35x25	1000	13.0 x 4	43.0	56.2	81	13.2	90	20	--	--	--	200

4 Holes Fixing Arrangement



LUG-1000-M12-4



LUG-1000-M12-4-35X25

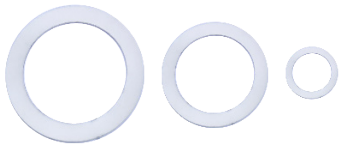
Copyright © 2008-2021 Tan Teck Seng Electric Co. Pte. Ltd. All rights reserved.
 Material data listed in this catalog supercedes all information in previous publications.

All product dimension and material specification is as accurate as possible at time of publication.
 Tan Teck Seng Electric Co. Pte. Ltd. reserves the right to change the design or specification of its products without notification.
 Whilst utmost care has been taken to maintain accuracy in the data, the company does not hold any responsibility for errors and accepts no liability for the use or interpretation of this data.



Cable Gland Accessories

Nylon Gasket



NYLON GASKET SIZE	
PRODUCT CODE	DIAMETER
G-16	M16
G-20	M20
G-25	M25
G-32	M32
G-40	M40
G-45	M45
G-50	M50
G-63	M63
G-75	M75

Copyright © 2008-2021 Tan Teck Seng Electric Co. Pte. Ltd. All rights reserved.

Material data listed in this catalog supercedes all information in previous publications.

All product dimension and material specification is as accurate as possible at time of publication.

Tan Teck Seng Electric Co. Pte. Ltd. reserves the right to change the design or specification of its products without notification.

Whilst utmost care has been taken to maintain accuracy in the data, the company does not hold any responsibility for errors and accepts no liability for the use or interpretation of this data.



Cable Gland Accessories

PVC Shrouds



PVC SHROUD SIZE	
PRODUCT CODE	USE WITH
PVC-SB-16L	A2/BW/CW - 16L
PVC-SB-20S	A2/BW/CW - 20S
PVC-SB-20L	A2/BW/CW - 20L
PVC-SB-25S	A2/BW/CW - 25S
PVC-SB-25L	A2/BW/CW - 25L
PVC-SB-32S	A2/BW/CW - 32S
PVC-SB-32L	A2/BW/CW - 32L
PVC-SB-40S	A2/BW/CW - 40S
PVC-SB-40L	A2/BW/CW - 40L
PVC-SB-45S	A2/BW/CW - 45S
PVC-SB-45L	A2/BW/CW - 45L
PVC-SB-50S	A2/BW/CW - 50S
PVC-SB-50L	A2/BW/CW - 50L
PVC-SB-63S	A2/BW/CW - 63S
PVC-SB-63L	A2/BW/CW - 63L
PVC-SB-75S	A2/BW/CW - 75S
PVC-SB-75L	A2/BW/CW - 75L
PVC-SB-90S	A2/BW/CW - 90S
PVC-SB-90L	A2/BW/CW - 90L

Copyright © 2008-2021 Tan Teck Seng Electric Co. Pte. Ltd. All rights reserved.

Material data listed in this catalog supercedes all information in previous publications.

All product dimension and material specification is as accurate as possible at time of publication.

Tan Teck Seng Electric Co. Pte. Ltd. reserves the right to change the design or specification of its products without notification.

Whilst utmost care has been taken to maintain accuracy in the data, the company does not hold any responsibility for errors and accepts no liability for the use or interpretation of this data.



Cable Gland Accessories

Low Smoke Zero Halogen Shrouds



LOW SMOKE ZERO HALOGEN SHROUD SIZE	
PRODUCT CODE	USE WITH
SCW-20S-LSOH	CW-20S
SCW-20L-LSOH	CW-20L
SCW-25S-LSOH	CW-25S
SCW-25L-LSOH	CW-25L
SCW-32S-LSOH	CW-32S
SCW-32L-LSOH	CW-32L
SCW-40S-LSOH	CW-40S
SCW-40L-LSOH	CW-40L
SCW-50S-LSOH	CW-50S
SCW-50L-LSOH	CW-50L
SCW-63S-LSOH	CW-63S
SCW-63L-LSOH	CW-63L
SCW-75S-LSOH	CW-75S
SCW-75L-LSOH	CW-75L

Copyright © 2008-2021 Tan Teck Seng Electric Co. Pte. Ltd. All rights reserved.

Material data listed in this catalog supercedes all information in previous publications.

All product dimension and material specification is as accurate as possible at time of publication.

Tan Teck Seng Electric Co. Pte. Ltd. reserves the right to change the design or specification of its products without notification.

Whilst utmost care has been taken to maintain accuracy in the data, the company does not hold any responsibility for errors and accepts no liability for the use or interpretation of this data.